

Hydraulic Rotary Rig

SR-135 HIT

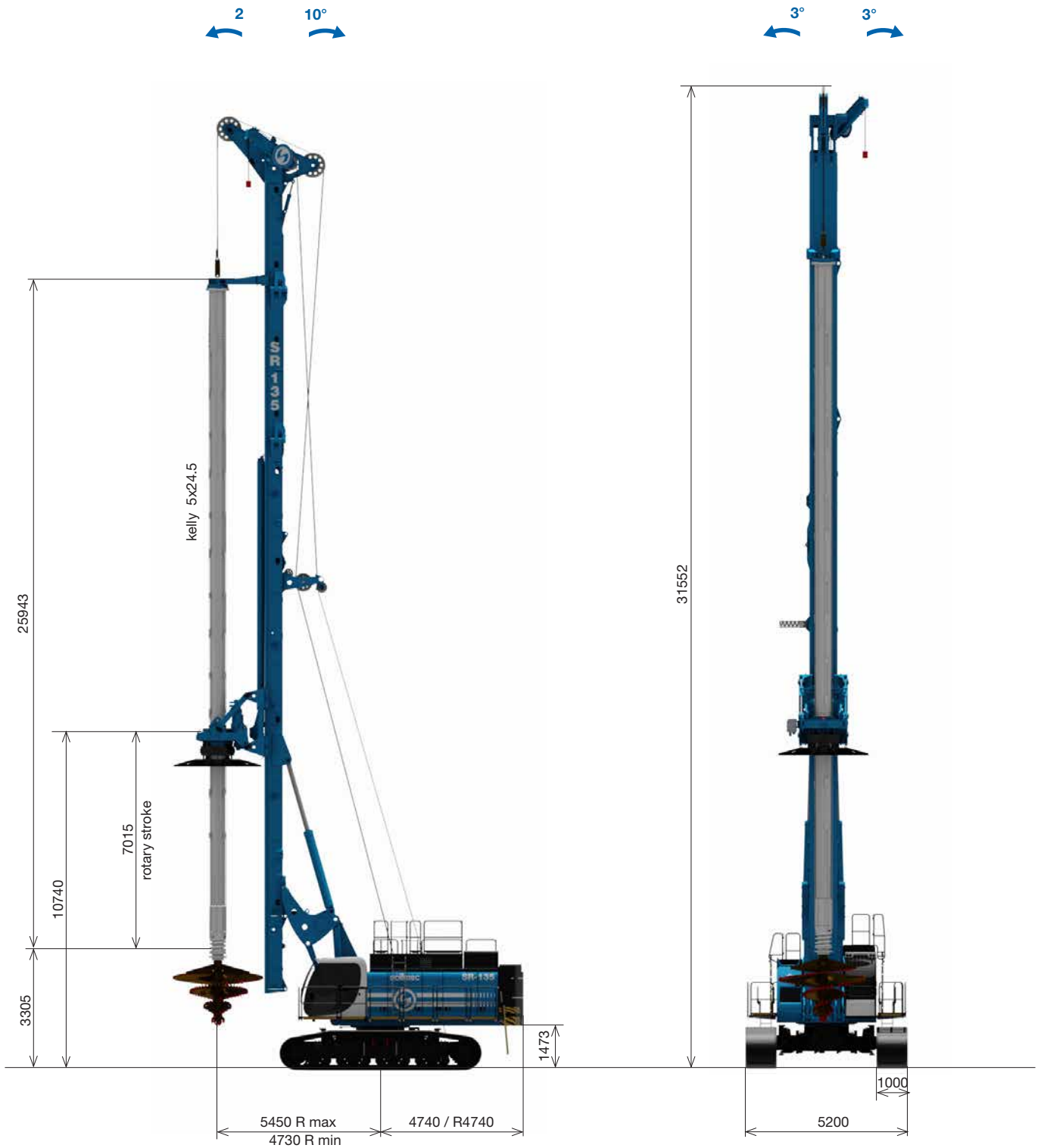
2017



soilmec 
Drilling and Foundation Equipment

SR-135 HIT Hydraulic Rotary Rig

LDP APPLICATIONS - Cylinder crowd system



LDP_Large Diameter Piles - CCS version

Operating weight w/o kelly bar	130900 kg	288582 lb
Max pile diameter along mast	3000 mm	118 in
Max pile diameter w/o lower mast section, tool below mast	3500 mm	138 in
Max pile depth - friction kelly	119 m	390 ft
Max pile depth - locking kelly	115 m	377 ft

SR-135 HIT Hydraulic Rotary Rig

LDP APPLICATIONS - Winch crowd system



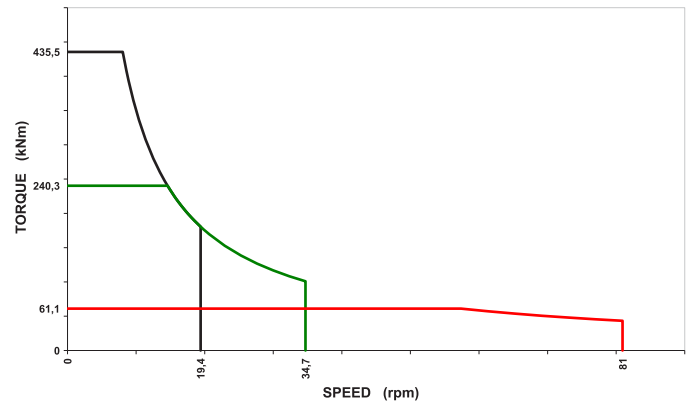
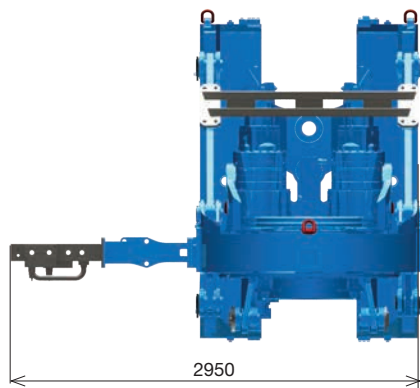
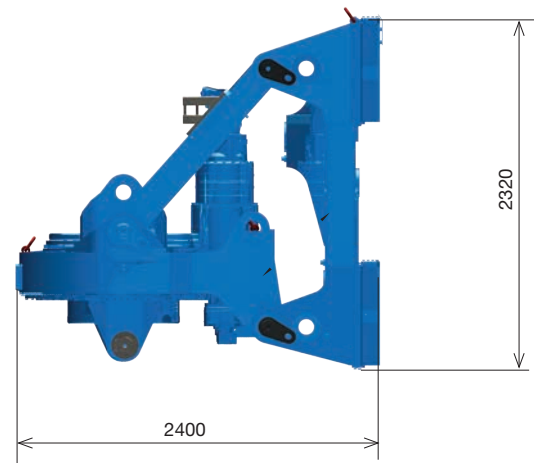
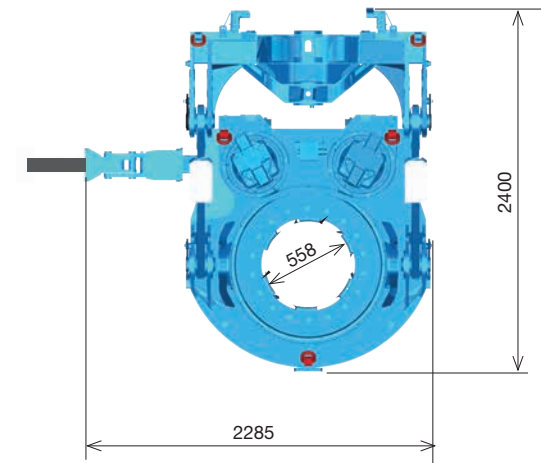
LDP_Large Diameter Piles - WCS version

Operating weight w/o kelly bar	133300 kg	293312 lb
Max pile diameter along mast	2800 mm	110 in
Max pile diameter w/o lower mast section, tool below mast	3300 (4000*) mm	130 (157*) in
Max pile depth - friction kelly	119 m	390 ft
Max pile depth - locking kelly	115 m	377 ft

* c/w special kit

SR-135 HIT Hydraulic Rotary Rig

ROTARY TABLE



Rotary drive

- Max torque (intermittent)
- Rated torque
- Speed of rotation (1st gear)
- Speed of rotation (3rd gear)

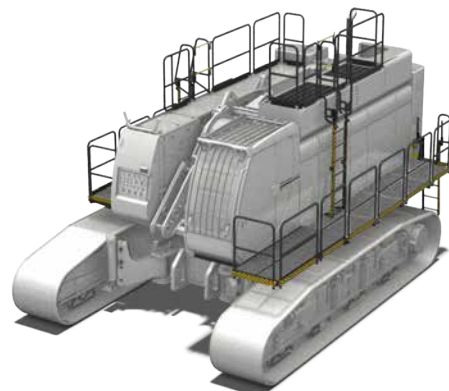
Multigear version

- 435 kNm** *320834 lbf·ft*
- 411 kNm** *303133 lbf·ft*
- 19,4 rpm** *19.4 rpm*
- 81 rpm** *81 rpm*

SR-135 HIT Hydraulic Rotary Rig

Safety equipment compulsory for EC marking
On request whenever EC marking is not needed

- Catwalks 900 mm (3 ft) wide
- Ladder and handrails for both access levels
- Acoustic alarm for rotation and translation
- Radio remote control for tramming on ramp
- Video-camera set with 5 cameras included
- Rearview mirrors
- Led lights
- Oil discharge conveying system
- Load cell for service winch



SR-135 HIT Hydraulic Rotary Rig

TECHNICAL DATA SHEET

CCS_Cylinder crowd system		
- Stroke	7650 mm	301 in
- Crowd force pull (down/up)	345 / 412 kN	77558 / 92620 lbf
- Fast speed up/down	20 m/min	66 ft/min
- Slow speed up/down	5,5 m/min	18 ft/min
WCS_Winch crowd system		
- Stroke	24300 mm	957 in
- Crowd force pull (down/up)	540 / 540 kN	121395 / 121395 lbf
- Fast speed up/down	33 m/min	108 ft/min
- Slow speed up/down	8,6 m/min	28 ft/min
Engine		
	CAT C18 Acert	CAT C18 Acert
- Rated output	470 kW @ 1800 rpm	630 HP @ 1800 rpm
- Engine conforms to Exhaust emission Standard	EU stage IV-US EPA Tier4f	EU stage IV-US EPA Tier4f
- Diesel tank capacity	1048 l	277 US gal
Main winch		
	controlled descent	controlled descent
- Line pull (1st layer)	420 kN	94418 lbf
- Rope diameter	36 mm	1.4 in
- Line speed (max.)	73 m/min	240 ft/min
Auxiliary winch		
	controlled descent	controlled descent
- Line pull (1st layer)	132 kN	29674 lbf
- Rope diameter	22 mm	0.9 in
- Line speed (max.)	71 m/min	233 ft/min
Hydraulic system		
- Flow rates (main circuits)	2x 444 l/min	2x 117 US gal/min
- Third pump flow	140 l/min	37 US gal/min
- Hydraulic oil tank capacity	1175 l	310 US gal
Undercarriage		
	variable gauge, telescoping removable sides	variable gauge, telescoping removable sides
- Overall width with retracted crawlers	3500 mm	138 in
- Overall width with extended crawlers	5200 mm	205 in
- Width of triple grouser track shoes	1000 mm	39 in
- Overall length of crawlers	6684 mm	263 in
- Traction force effective/nominal	813 kN	182766 lbf
- Travel speed	1,6 km/h	1.0 mph
Mast inclination (Backward/ Forward/Lateral)		
	10°/2°/3°	10°/2°/3°

STANDARD EQUIPMENT

- Rotary table replaceable drive ribs
- Emergency mode of operation for engine
- Main and auxiliary winch controlled descent type with special grooving
- Hoist limit switch on main and service rope
- Swivel for main rope
- Service rope parking point
- GSM/GPRS/GPS modem kit
- DMS system electronic monitoring and visualization system
- Mast inclination measurement on X/Y axes (digital/ analog display)
- Automatic vertical mast alignment
- Depth measuring device
- Rotary speed measuring device
- Rotary power control
- Variably stackable counterweight
- Removable undercarriage
- Variable gauge undercarriage
- Wider triple grouser track shoes
- Transport securing lugs on crawler units
- Oscillator attachment brackets
- Lower foldable mast element
- Cardan joint
- Flange for casing driving
- Kelly swivel
- Kelly guide
- On board lighting set
- On board tool set
- Electric refuelling pump
- High comfortable H-Cab 1050 mm (3,4 ft) wide
- Protective roof grate (FOPS compliant)
- Sliding door
- Adjustable console with sliding support for DMS 12" touch screen
- Engine and Diesel particulate diagnostic panel
- Auto low idle system
- 3 color warning light
- Ergonomic seat with air suspension, fully-adjustable positioning and lumbar support
- Heat and Air Conditioning control unit
- Courtesy lights in the cab
- Radio and CD player

OPTIONAL EQUIPMENT

- Diesel Engine with EU Stage III A - US EPA Tier 3 motorization
- Kit for disassembling undercarriage
- Fiberglass canopies
- Automatic greasing kit
- Lubricator pump kit for rotary pads cradle
- Central lubrication system
- Flange for bucket opening
- Hydraulic prearrangement for casing oscillator
- Mast extension for special configuration
- Mast ladder kit
- Parachute safety kit
- Automatic hydraulic kit for upper mast folding
- Limit switch for rope winding and winches
- Free fall service winch
- Double roller auger cleaner
- Prearrangement for VTH-1
- Single layer main winch 470 kN (155658 lbf)

SR-135 HIT Hydraulic Rotary Rig

KELLY DRILLING SYSTEM



Depth	Drilling Depths	Kelly Dimensions	Depth		Weight		CCS SYSTEM		WCS SYSTEM		
			section x m	m	ft	kg	lb	H		H	
								m	ft	m ⁽¹⁾	ft
3 parts	BL HD	3 x 11	29,8	97,8	7,8	8,62	10,0	32,8	13,7	44,9	
	BL HD	3 x 12	33,3	109,3	8,4	9,23	10,0	32,8	12,5	41,0	
	BL HD	3 x 13,5	37,3	122,4	9,2	10,14	10,0	32,8	11,2	36,7	
	BL HD	3 x 14,5	40,3	132,2	9,8	10,75	10,0	32,8	10,2	33,5	
	BL HD	3 x 16	44,3	145,3	10,6	11,66	8,8	28,9	8,8	28,9	
	BL HD	3 x 17,5	49,8	163,4	11,4	12,58	7,1	23,3	7,1	23,3	
	BL HD	3 x 19,5	55,4	181,8	12,5	13,79	5,2	17,1	5,2	17,1	
	BL HD	3 x 21,5	61,1	200,5	13,6	15,01	3,3	10,8	3,3	10,8	
4 parts	FR/BL HD	4 x 11	39,2	128,6	9,2	10,14	10,0	32,8	13,7	44,9	
	FR/BL HD	4 x 12	44,5	146,0	9,8	10,85	10,0	32,8	12,5	41,0	
	FR/BL HD	4 x 13,5	49,1	161,1	10,8	11,91	10,0	32,8	11,2	36,7	
	FR/BL HD	4 x 14,5	53,7	176,2	11,5	12,62	10,0	32,8	10,2	33,5	
	FR/BL HD	4 x 16	59,0	193,6	12,4	13,69	8,8	28,9	8,8	28,9	
	FR/BL HD	4 x 17,5	66,2	217,2	13,4	14,76	7,1	23,3	7,1	23,3	
	FR/BL HD	4 x 19,5	73,5	241,1	14,7	16,18	5,2	17,1	5,2	17,1	
	FR/BL HD	4 x 21,5	81,3	266,7	16,0	17,60	3,3	10,8	3,3	10,8	
5 parts*	FR/BL HD	5 x 16	73,5	241,1	14,5	16,00	8,8	28,9	8,8	28,9	
	FR/BL HD	5 x 17,5	82,6	271,0	15,7	17,33	7,1	23,3	7,1	23,3	
	FR/BL HD	5 x 19,5	91,8	301,2	17,3	19,09	5,2	17,1	5,2	17,1	
	FR/BL HD	5 x 21,5	101,3	332,3	18,9	20,86	3,3	10,8	3,3	10,8	
6 parts*	FR HD	6 x 17,5	99,0	324,8	18,7	20,61	7,1	23,3	7,1	23,3	
	FR HD	6 x 19,5	109,7	359,9	19,4	21,38	5,2	17,1	5,2	17,1	
	FR HD	6 x 21,5	119,0	392,0	22,0	24,25	3,3	10,8	3,3	10,8	

* Rotary head derated

SR-135 HIT Hydraulic Rotary Rig

APPLICATIONS

CFA - Continuous Flight Auger - Quick conversion kit

Max pile diameter	1200 mm	<i>47,24 in</i>
Max pile depth with star auger cleaner and with 8,5 m auger extension	32,7 m	<i>107 ft</i>
Max pile depth with auger cleaner, with 8,5 m auger extension	31 m	<i>102 ft</i>

CFA - Continuous Flight Auger - 4° Line pull

Max pile diameter	1200 mm	<i>47,24 in</i>
Max pile depth with star auger cleaner and with 8,5 m auger extension	34,5 m	<i>113 ft</i>
Max pile depth with auger cleaner, with 8,5 m auger extension	33,2 m	<i>109 ft</i>

CFA - Continuous Flight Auger - 4° Line pull - Special version

Max pile diameter	1200 mm	<i>47,24 in</i>
Max pile depth with star auger cleaner and with 8,5 m auger extension	38,5 m	<i>126 ft</i>
Max pile depth with auger cleaner, with 8,5 m auger extension	37,2 m	<i>122 ft</i>

CAP/CSP - Cased Augered & Secant Piles - 4°Line pull

Max pile diameter	1200 mm	<i>47,24 in</i>
Max pile depth without auger cleaner, with 6 m auger extension	28 m	<i>92 ft</i>
Max pile depth with auger cleaner, with 6 m auger extension	28,6 m	<i>94 ft</i>
Max cased depth c/w - w/o auger cleaner	22/22,4 m	<i>72/75 ft</i>

DP - Displacement Piles - Quick conversion kit

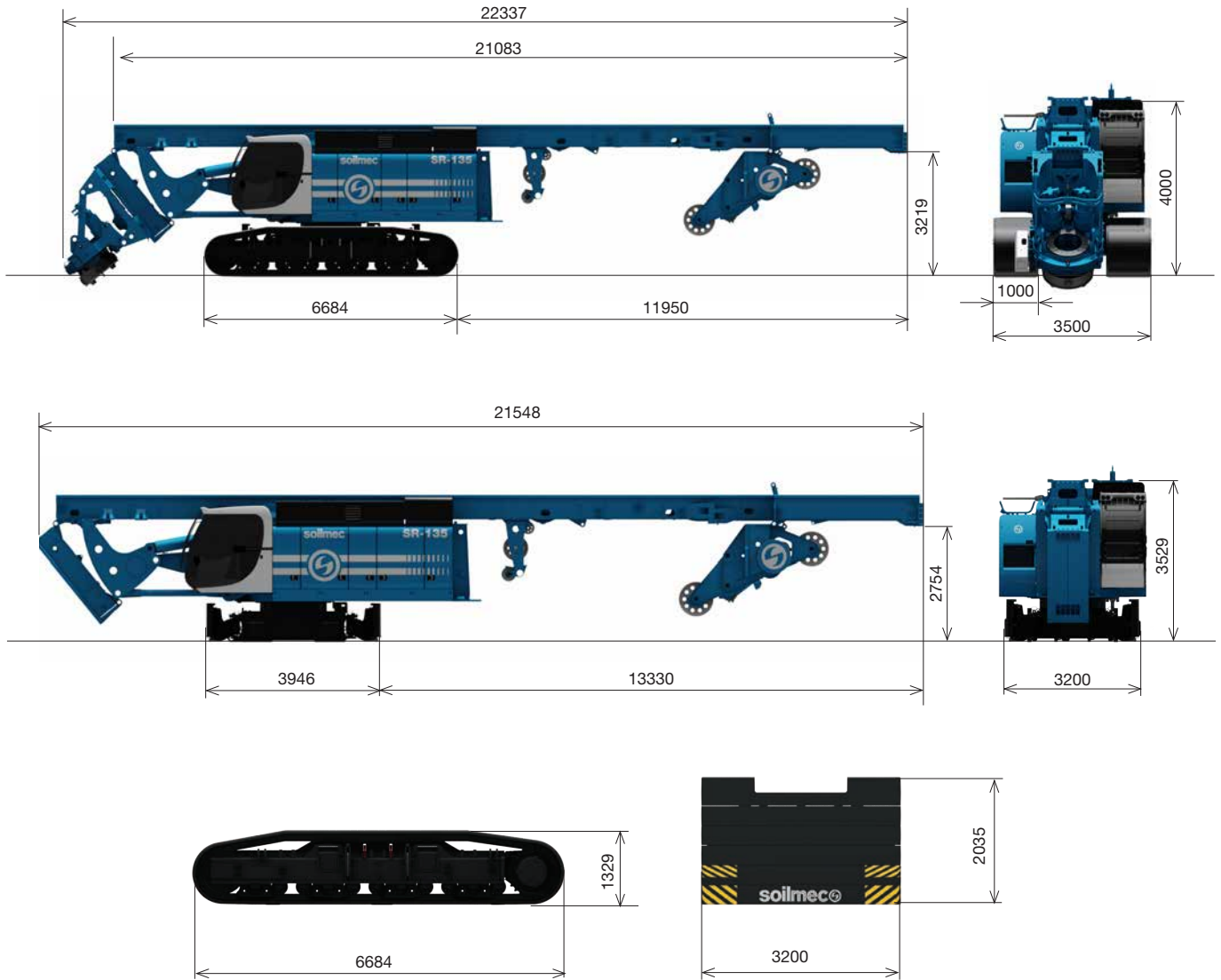
Max DP pile diameter	800 mm	<i>31,50 in</i>
Max TCT pile diameter	1000 mm	<i>39,37 in</i>
Max pile depth with 8,5 m string extension	31,5 m	<i>103 ft</i>
Max depth c/w lattice boom mast extension	39 m	<i>127,95 ft</i>

TJ - Turbojet® - Quick conversion kit

Max treatment diameter	1500 (2000 special) mm	<i>59 (79 special) in</i>
Max pile depth with 6 m string extension	29 m	<i>95 ft</i>

SR-135 HIT Hydraulic Rotary Rig

TRANSPORT, DIMENSIONS & WEIGHTS



Transport configuration

- Transport width with/without crawlers	3500 mm	137,80 in
- Transport length CCS version without rotary	21548 mm	849 in
- Transport height	4000 mm	157,48 in
- Counterweight (single elements 1,4/4/4,4 t)	20000 / 26000 kg	44092 / 57320 lb
- Side frames weight	26600 kg	58643 lb
- CCS Version - Transport weight std - min	102100 / 46900 kg	225090 / 103396 lb
- WCS Version - Transport weight std - min	100200 / 46900 kg	220901 / 103396 lb

This brochure has been edited and distributed by SOILMEC Spa. The present document cancels and override any previous ones. This brochure shall not be distributed, reproduced or exhibited without SOILMEC Spa. authorization in accordance with to SOILMEC web site disclaimer condition.

SOILMEC Spa distributes machinery and structures all over the world, supported by SOILMEC Spa subsidiary companies and dealers. The complete Soilmec network list is available on the web site www.soilmec.it