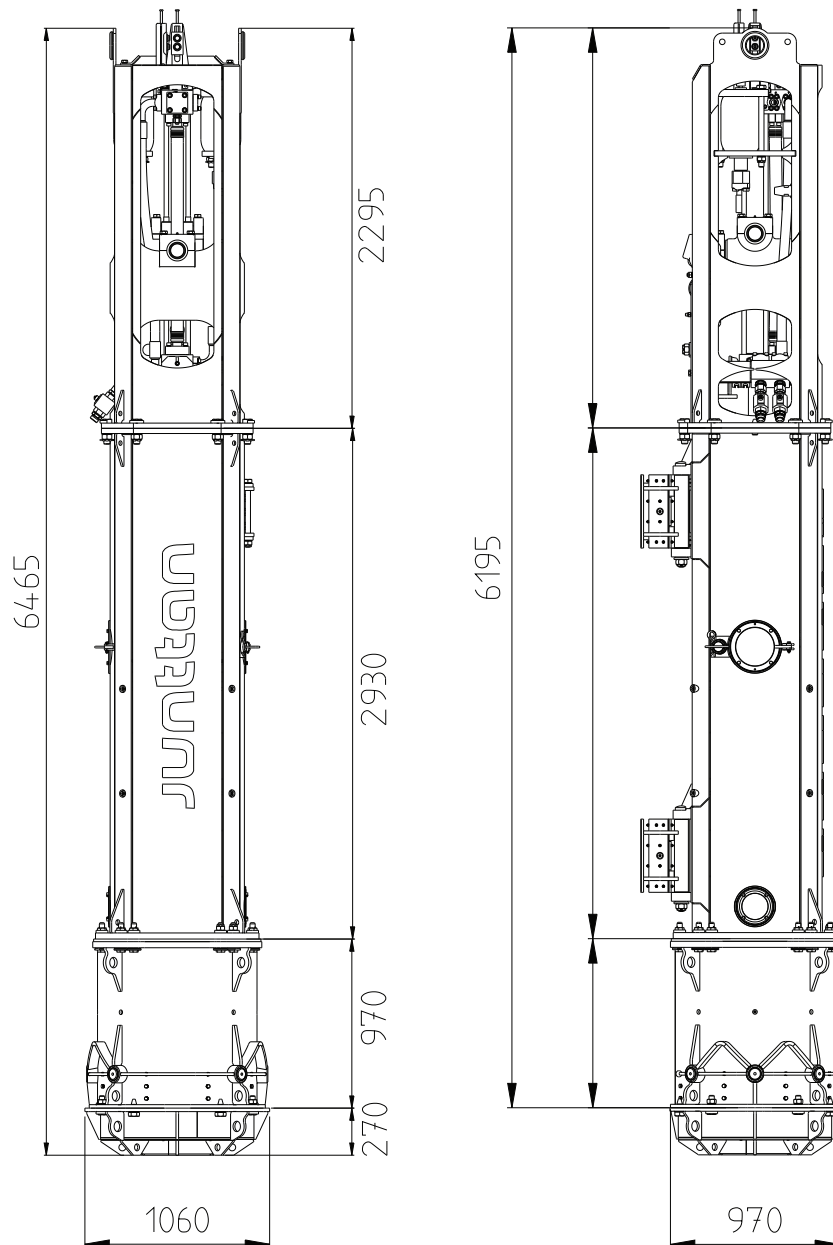


Hydraulic Impact Hammer

SHK 110-5

SHK 110-5/6
SHK 110-5/7
SHK 110-5/6/7/8
SHK 110-5/7/9



JUNTTAN SHK 110-5

Max. energy		61 kNm	44 976 ft-lb
Max drop height		1,2 m	3.94 ft
Blows per minute		52 – 120 +	52 – 120 +
Ram weight		5 000 kg	11 023 lb
Total weight			
	including noise insulation	9 600 kg	21 164 lb
	without noise insulation	9 380 kg	20 679 lb
Oil flow		456 l/min	120 gpm
Operating pressure		164 bar	2 379 psi
Theoretical power output		125 kW	170 hp
Hoses			
	– pressure line	38 mm	1 ½ inch
	– return line	38 mm	1 ½ inch
Drive cap housing (std)	Ø:	800 mm	31.5 inch
Drive cap types	A-type:	for metal tubes	for metal tubes
	B-type:	for concrete piles	for concrete piles
Drive cap max. inner diameter	A-type:	Ø 770 mm	23.6 inch
	B-type:	□ 470 x 470	18.5 x 18.5
Larger drive cap diameters available on special request			
Suitable Piling Rigs		PMx25, PM25H, PM26/28	PMx25, PM25H, PM26/28
Suitable Powerpacks		10XCU, 15CCU – 30CCU	10XCU, 15CCU – 30CCU

Accessories

* Guide claws	* Lifting cat
* Extensions	* Flying leader
* Energy measurement device	* Additional noise insulation package
* Additional drive caps	* Powerpacks
* Pile sleeves	

Technical details with extensions

JUNTTAN SHK 110-5/6-9	6T	7T	8T	9T	6T	7T	8T	9T
Max. energy	73 kNm	89 kNm	105 kNm	119 kNm	53 824 ft-lb	65 621 ft-lb	77 417 ft-lb	87 740 ft-lb
Max drop height	1,2 m	1,2 m	1,2 m	1,2 m	3.94 ft	3.94 ft	3.94 ft	3.94 ft
Blows per minute	52 – 120 +	52 – 120 +	52 – 120 +	52 – 120 +	52 – 120 +	52 – 120 +	52 – 120 +	52 – 120 +
Ram weight	6 000 kg	7 000 kg	8 000 kg	9 000 kg	13 228 lb	15 432 lb	17 637 lb	19 842 lb
Total weight								
	including noise insulation	10 900 kg	12 120 kg	13 480 kg	14 550 kg	24 030 lb	26 720 lb	29 718 lb
	without noise insulation	10 680 kg	11 900 kg	13 260 kg	14 330 kg	23 545 lb	26 235 lb	29 233 lb
Oil flow	456 l/min	456 l/min	456 l/min	456 l/min	120 gpm	120 gpm	120 gpm	120 gpm
Operating pressure	197 bar	230 bar	262 bar	295 bar	2 857 psi	3 336 psi	3 800 psi	4 279 psi
Theoretical power output	150 kW	175 kW	199 kW	224 kW	204 hp	238hp	271 hp	305 hp
Suitable Piling Rigs	PMx25, PM25H, PM26/28	PMx25, PM25H, PM26/28	PM25H, PM26/28	PM25H, PM26/28	PMx25, PM25H, PM26/28	PMx25, PM25H, PM26/28	PM25H, PM26/28	PM25H, PM26/28
Suitable Powerpacks (10XCU, 15CCU – 30CCU)								

Junttan

Junttan Oy
P.O. Box 1702 (Matkuksentie 7)
FI-70701 KUOPIO, Finland

Tel. +358 10 195 221
Fax +358 17 287 4411
junttan@junttan.com