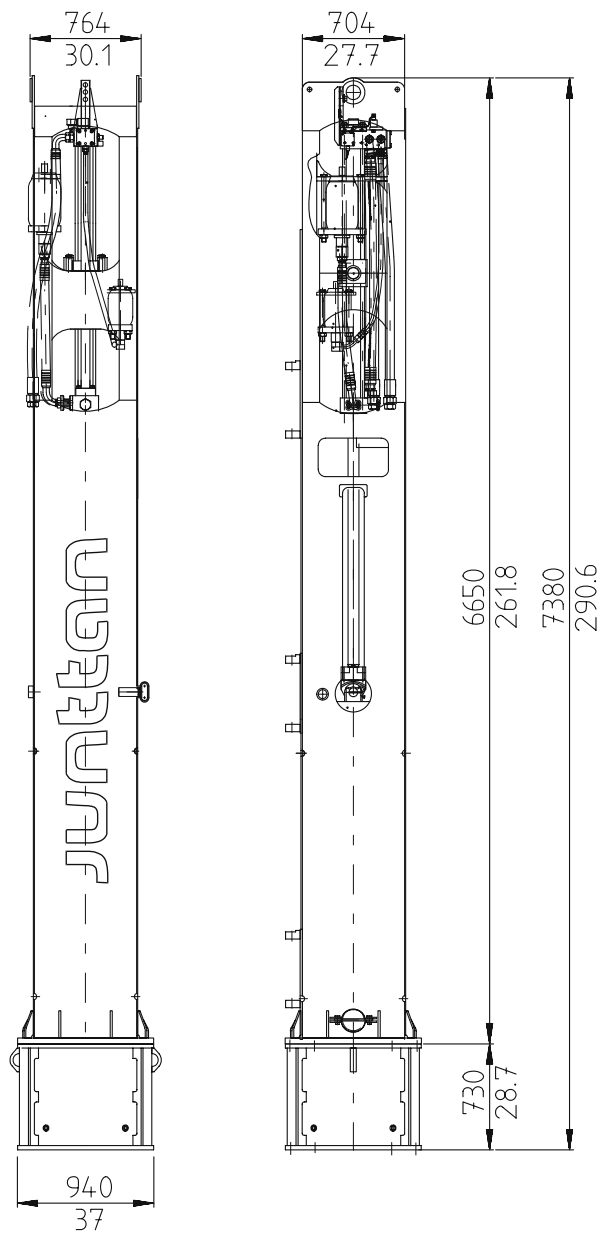


# Hydraulic Impact Hammer

## HHK7S (938)

HHK7/9S (938)



## JUNTTAN HHK7S (938)

Max. energy		103 kNm	75 947 ft-lb
Max drop height		1,5 m	4.92 ft
Blows per minute		30 – 100	30 – 100
Ram weight		7 000 kg	15 432 lb
Total weight	including A-type drive cap	11 400 kg	25 133 lb
Oil flow		328 l/min	87 gpm
Operating pressure		203 bar	2 944 psi
Theoretical power output		111 kW	151 hp
Hoses			
	– pressure line	38 mm	1 ½ inch
	– return line	38 mm	1 ½ inch
Drive cap housing (std)	Ø:	880 mm	34.6 inch
Drive cap types	A-type:	for metal tubes	for metal tubes
	B-type:	for concrete piles	for concrete piles
Drive cap max. inner diameter	A-type:	Ø 850 mm	33.5 inch
	B-type:	□ 550 x 550 mm	21.5 x 21.5 inch
Larger drive cap diameters available on special request			
Suitable Piling Rigs		PMx25, PM25H, PM26, PM28, PM30	PMx25, PM25H, PM26, PM28, PM30
Suitable Powerpacks		10 XCU, 15CCU – 30 CCU	10 XCU, 15CCU – 30 CCU

## Accessories

* Guide claws			* Lifting cat
* Extensions			* Flying leader
* Energy measurement device			* Additional noise insulation package
* Additional drive caps			* Powerpacks
* Pile sleeves			

## Technical details with extensions

JUNTTAN HHK7/9S		9T	9T
Max. energy		132 kNm	97 646 ft-lb
Max drop height		1,5 m	4.92 ft
Blows per minute		30 – 100	30 – 100
Ram weight		9 000 kg	19 842 lb
Total weight	including A-type drive cap	14 000 kg	30 865 lb
Oil flow		328 l/min	87 gpm
Operating pressure		260 bar	3 771 psi
Theoretical power output		142 kW	193 hp
Suitable Piling Rigs		PM25H, PM26, PM28, PM30	PM25H, PM26, PM28, PM30
Suitable Powerpacks		10 XCU, 15CCU – 30 CCU	10 XCU, 15CCU – 30 CCU

**Junttan**

**Junttan Oy**  
P.O. Box 1702 (Matkuksentie 7)  
FI-70701 KUOPIO, Finland

Tel. +358 10 195 221  
Fax +358 17 287 4411  
junttan@junttan.com