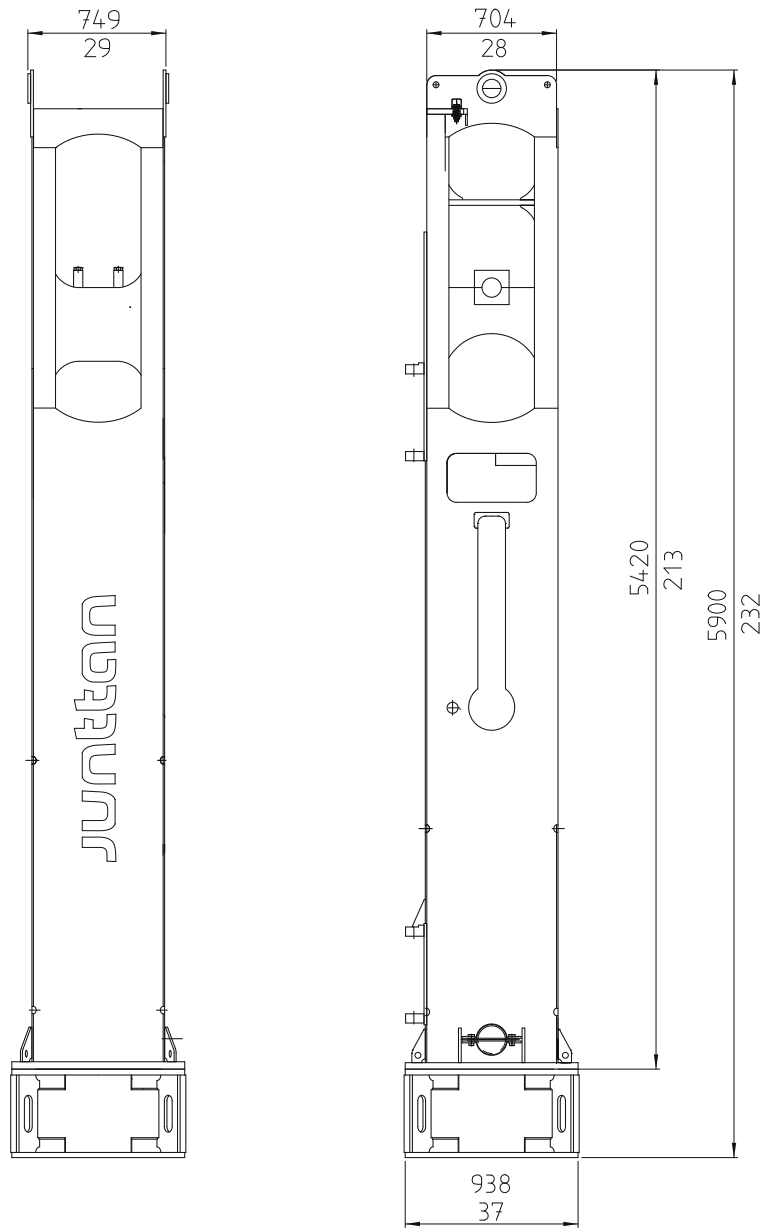


# Hydraulic Impact Hammer

## HHK5A (880)

HHK5/7A (880)  
HHK5/7/9A (880)



## JUNTTAN HHK5A (880)

Max. energy		59 kNm	43 398 ft-lb
Max drop height		1,2 m	3.94 ft
Blows per minute		40 – 100	40 – 100
Ram weight		5 000 kg	11 023 lb
Total weight	including A-type drive cap	8 700 kg	19 180 lb
Oil flow		398 l/min	105 gpm
Operating pressure		157 bar	2 277 psi
Theoretical power output		104 kW	142 hp
Hoses			
	– pressure line	38 mm	1 ½ inch
	– return line	38 mm	1 ½ inch
Drive cap housing (std)	Ø:	880 mm	34.6 inch
Drive cap types	A-type:	for metal tubes	for metal tubes
	B-type:	for concrete piles	for concrete piles
Drive cap max. inner diameter	A-type:	Ø 850 mm	33.5 inch
	B-type:	□ 550 x 550	21.5 x 21.5
Larger drive cap diameters available on special request			
Suitable Piling Rigs	PMx20 – PMx25, PM23, PM25H, PM26 – PM30	PMx20 – PMx25, PM23, PM25H, PM26 – PM30	
Suitable Powerpacks	10XCU, 15 CCU – 30 CCU	10XCU, 15 CCU – 30 CCU	

## Accessories

* Guide claws	* Lifting cat
* Extensions	* Flying leader
* Energy measurement device	* Additional noise insulation package
* Additional drive caps	* Powerpacks
* Pile sleeves	

## Technical details with extensions

JUNTTAN HHK5/7/9A	7T	9T	7T	9T
Max. energy	82 kNm	106 kNm	60 757 ft-lb	78 116 ft-lb
Max drop height	1,2 m	1,2 m	3.94 ft	3.94 ft
Blows per minute	40 – 100	40 – 100	40 – 100	40 – 100
Ram weight	7 000 kg	9 000 kg	15 432 lb	19 842 lb
Total weight including A-type drive cap	11 200 kg	13 700 kg	24 692 lb	30 203 lb
Oil flow	398 l/min	398 l/min	105 gpm	105 gpm
Operating pressure	183 bar	235 bar	2 654 psi	3 408 psi
Theoretical power output	121 kW	156 kW	165 hp	212 hp
Suitable Piling Rigs	PMx25, PM25H, PM26 – PM30	PM25H, PM26 – PM30	PMx25, PM25H, PM26 – PM30	PM25H, PM26 – PM30
Suitable Powerpacks	10XCU, 15 CCU – 30 CCU	10XCU, 15 CCU – 30 CCU	10XCU, 15 CCU – 30 CCU	10XCU, 15 CCU – 30 CCU

**Junttan**

**Junttan Oy**  
P.O. Box 1702 (Matkusentie 7)  
FI-70701 KUOPIO, Finland

Tel. +358 10 195 221  
Fax +358 17 287 4411  
junttan@junttan.com