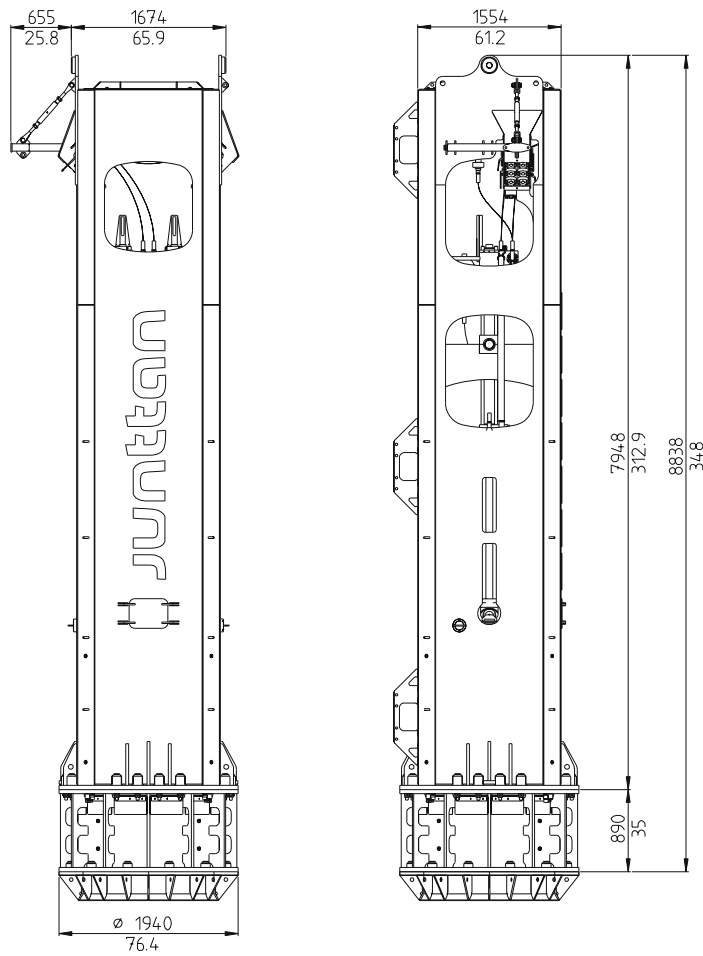


Hydraulic Impact Hammer

HHK25S

HHK25/28S



JUNTTAN HHK255

Max. energy		368 kNm	271 238 ft-lb
Max drop height		1,5 m	4.92 ft
Blows per minute		30 – 100	30 – 100
Ram weight		25 000 kg	55 116 lb
Total weight	including A-type drive cap	46 800 kg	103 176 lb
Oil flow		999 l/min	264 gpm
Operating pressure		244 bar	3 539 psi
Theoretical power output		406 kW	553 hp
Hoses			
	– pressure line	3 x 38 mm	3 x 1 ½ inch
	– return line	3 x 38 mm	3 x 1 ½ inch
Drive cap housing (std)	Ø:	1 720 mm	67,7 inch
Drive cap types	A-type:	for metal tubes	for metal tubes
	B-type:	for concrete piles	for concrete piles
Drive cap max. inner diameter	A-type:	Ø 1 690 mm	66.5 inch
	B-type:	□ by special request	by special request
Larger drive cap diameters available on special request			
Suitable Powerpacks		30 CCU	30 CCU

Accessories

* Guide claws			* Lifting cat
* Extensions			* Flying leader
* Energy measurement device			* Additional noise insulation package
* Additional drive caps			* Powerpacks
* Pile sleeves			

Technical details with extensions

JUNTTAN HHK25/28S		28T	28T
Max. energy		412 kNm	303 786 ft-lb
Max drop height		1,5 m	4.92 ft
Blows per minute		30 – 100	30 – 100
Ram weight		28 000 kg	61 729 lb
Total weight	including A-type drive cap	51 500 kg	113 538 lb
Oil flow		999 l/min	264 gpm
Operating pressure		273 bar	3 960 psi
Theoretical power output		455 kW	618 hp
Suitable Powerpacks		30 CCU	30 CCU

Junttan

Junttan Oy
P.O. Box 1702 (Matkuskentie 7)
FI-70701 KUOPIO, Finland

Tel. +358 10 195 221
Fax +358 17 287 4411
junttan@junttan.com